

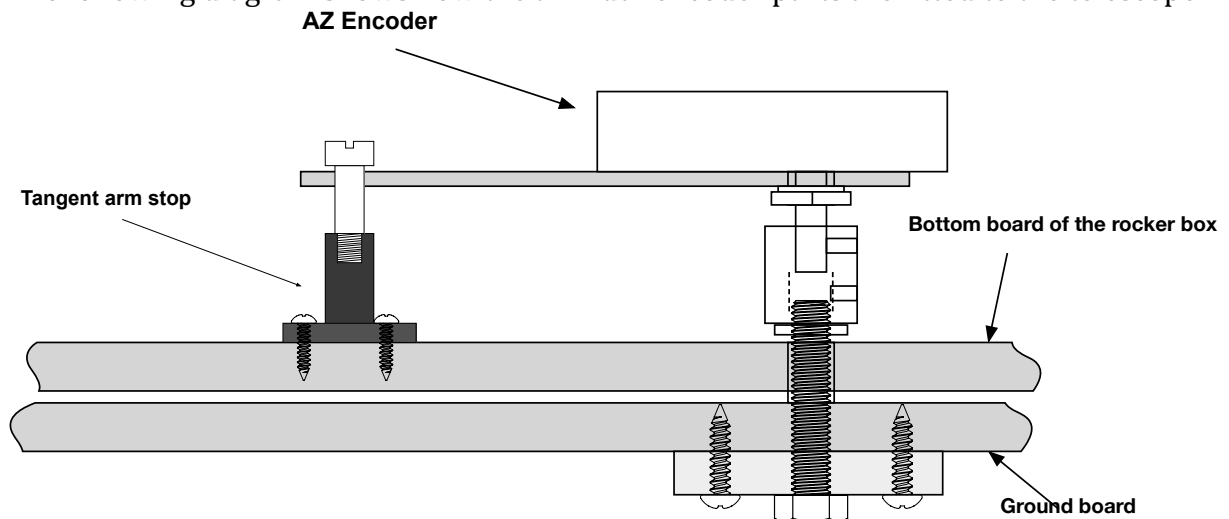
MEADE Starfinder: Encoders Installation

Please make sure that you have all the parts included in the kit:



Azimuth encoder installation

The following diagram shows how the azimuth encoder parts are fitted to the telescope:



1. Start with removing the existing pivot bolt. Leave all the parts except the bolt and a locking nut.

2. Screw the new bolt through the aluminium mounting block all the way in (making sure that the bolt's head is on the same side where the holes for the screws have a recess):



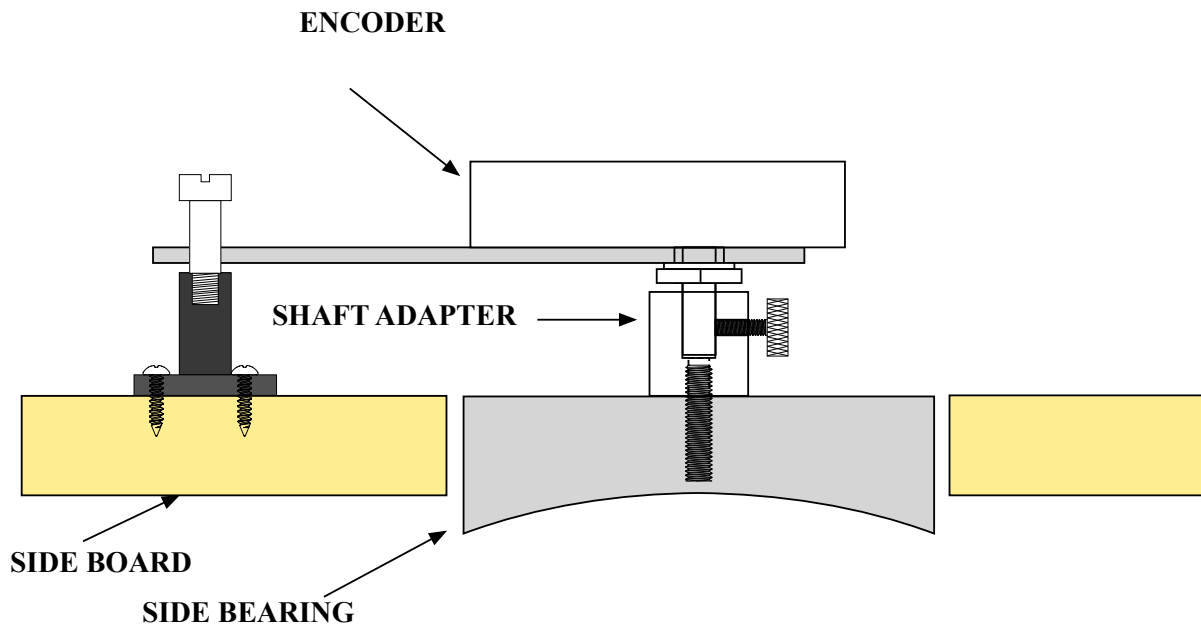
3. Feed the bolt through the hole in the ground board from the bottom.
4. Put four mounting screws in place and screw them through the ground board.
5. Put all parts from step 1 back the same way as they were.
6. Put the encoder shaft adapter to the top of the pivot bolt and screw it all the way down.
7. Tighten the set screw for the pivot bolt.
8. Put the encoder shaft into the shaft adapter and push it all the way in.
9. Put the tangent arm stop with the bolt being approximately in the middle of the slot. And mark the placement with a pencil.
10. Remove the tangent arm with the encoder.
11. Fix the tangent arm stop with the screws in the marked position from step 9.
12. Put the tangent arm with the encoder back in.
13. Tighten the set screw holding the encoder's shaft.
14. Make sure the telescope is rotating the way it was before.

The following photo shows how the azimuth encoder parts fit together.

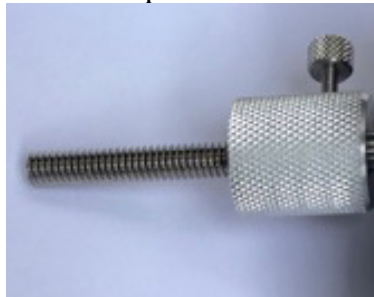


Altitude encoder installation

The following diagram shows how the altitude encoder parts are fitted to the telescope:



1. Start with removing the centre bolt on one of the altitude bearings.
2. Put the altitude encoder shaft adapter with the threaded bolt instead of the bolt.



3. Make sure the shaft adapter does not rotate.
4. Put the encoder shaft into the shaft adapter and push it all the way in.
5. Put the tangent arm stop with the bolt being approximately in the middle of the slot. And mark the placement with a pencil.
6. Remove the tangent arm with the encoder.
7. Fix the tangent arm stop with the screws in the marked position from step 5.
8. Put the tangent arm with the encoder back in.

The following photo shows how the azimuth encoder parts fit together.



Connect the encoder cable and connect it to the DSC. Please set the encoder steps to 10000.